



# HA20 RTJ PRO



## PERFORMANCE & EASE OF USE

- > Best lifting speed of 48 sec.
- > Industry leading working envelope with an outreach of 12.2 m
- > Fully proportional and simultaneous movements
- > Ease of transport

## EXCELLENT ROBUSTNESS

- > Rugged hoods with ergonomic handle
- > Long lasting structural design

## MAXIMIZED TOTAL COST OF OWNERSHIP

- > Haulotte Activ'Screen (on board diagnostic)
- > Haulotte Stop Emission System: automatically turns the engine off & on
- > Exclusive modular basket with upper control box cover and tool tray
- > Easy access to all components

## BEST COMFORT AND SAFETY FEELING

- > Haulotte Activ' Shield Bar 2.0

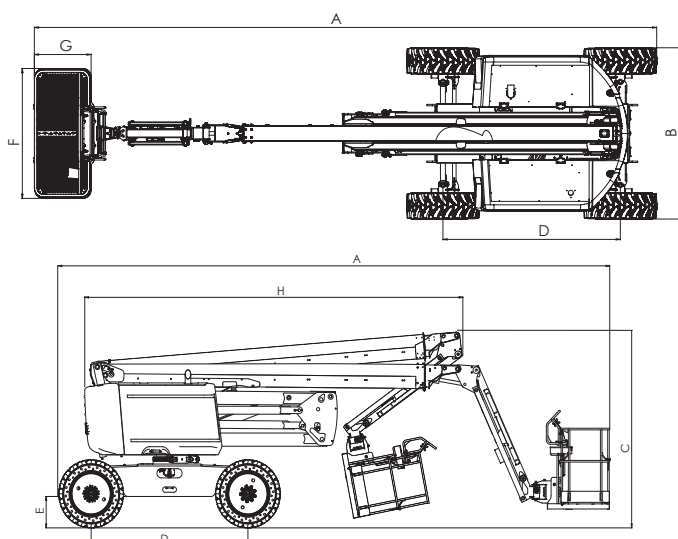
# HA20 RTJ PRO

## ROUGH TERRAIN ARTICULATING BOOMS

### TECHNICAL DATA

### HA20 RTJ PRO

|                                     |  |
|-------------------------------------|--|
| Working height                      | 20.6 m   |
| Platform height                     | 18.6 m   |
| Horizontal outreach                 | 12.2 m   |
| Up and over clearance               | 8.4 m  |
| Lift capacity                       | 230 kg (2 pers.)   |
| <b>F</b> x <b>G</b> Platform size   | 1.83 x 0.8 m   |
| <b>A</b> Length - stowed            | 8.8 m  |
| <b>B</b> Width                      | 2.42 m   |
| Height - stowed                     | 2.51 m   |
| <b>H</b> Storage / transport length | 6.5 m  |
| <b>C</b> Storage / transport height | 2.93 m   |
| Vertical jib rotation               | 140° (+ 60° / - 80°)                                     |
| Platform rotation                   | 180° (+ 90° / - 90°)                                     |
| Turntable rotation                  | 360° continuous  |
| Tailswing                           | 14.2 cm  |
| <b>D</b> Wheelbase                  | 2.45 m   |
| <b>E</b> Ground clearance           | 42 cm  |
| Tilt                                | 5°   |
| Drive speed                         | 0.5 - 5 km/h   |
| Gradeability                        | 45 %   |
| Tyres - solid rough terrain         | 1025 x 365 mm  |
| Turning radius - outside            | 3.75 m   |
| Power source                        | Kubota 48.6 kW, stage 5<br>NRC: Kubota, 36.5kW, Stage 3A |
| Weight                              | 9 600 kg   |



### STANDARD EQUIPMENT

- > Haulotte Activ'Screen
- > Haulotte Activ'Shield Bar 2.0
- > Haulotte Stop Emission System
- > Universal telematics plug
- > Rotating beacon
- > Front oscillating axle increases stability on uneven ground
- > 4 wheel drive, 4 wheel steer
- > Permanent limited slip differential
- > 4 simultaneous movements for maximum productivity
- > Modular standard basket 1.83 m x 0.80 m, drop bar entry gate
- > Upper control box protection cover and tool tray in plastic ultra-solid
- > AC power to platform 110 / 230 V
- > Travel alarm
- > Electric pump system and emergency descent
- > 12 V battery
- > Sound and light alarm for tilt and load
- > Hour meter
- > Low fuel level indicator (upper & lower control boxes)
- > Swing out engine tray for ease of maintenance

### OPTIONS AND ACCESSORIES

- > Glazier pack
- > Non-marking tires
- > Biodegradable hydraulic oil
- > Hot weather kit: hydraulic oil cooler + hydraulic oil
- > Cold weather kit : - 10°C / - 25°C
- > Flashing light
- > Power to platform 110 / 230 V (with or without circuit-breaker 30 mA)
- > 55 W working light
- > Air-line to platform 6.5 mm inner diameter
- > Hydraulic generator Dynaset 3.5 Kw
- > Lateral swing door entry gate
- > Large modular basket 2.44 m x 0.91 m
- > Spark arrestor and electric one-way valve

