

DW30

Wheel Dumpers



**WACKER
NEUSON**
all it takes!



Compact, safe and a real all-rounder

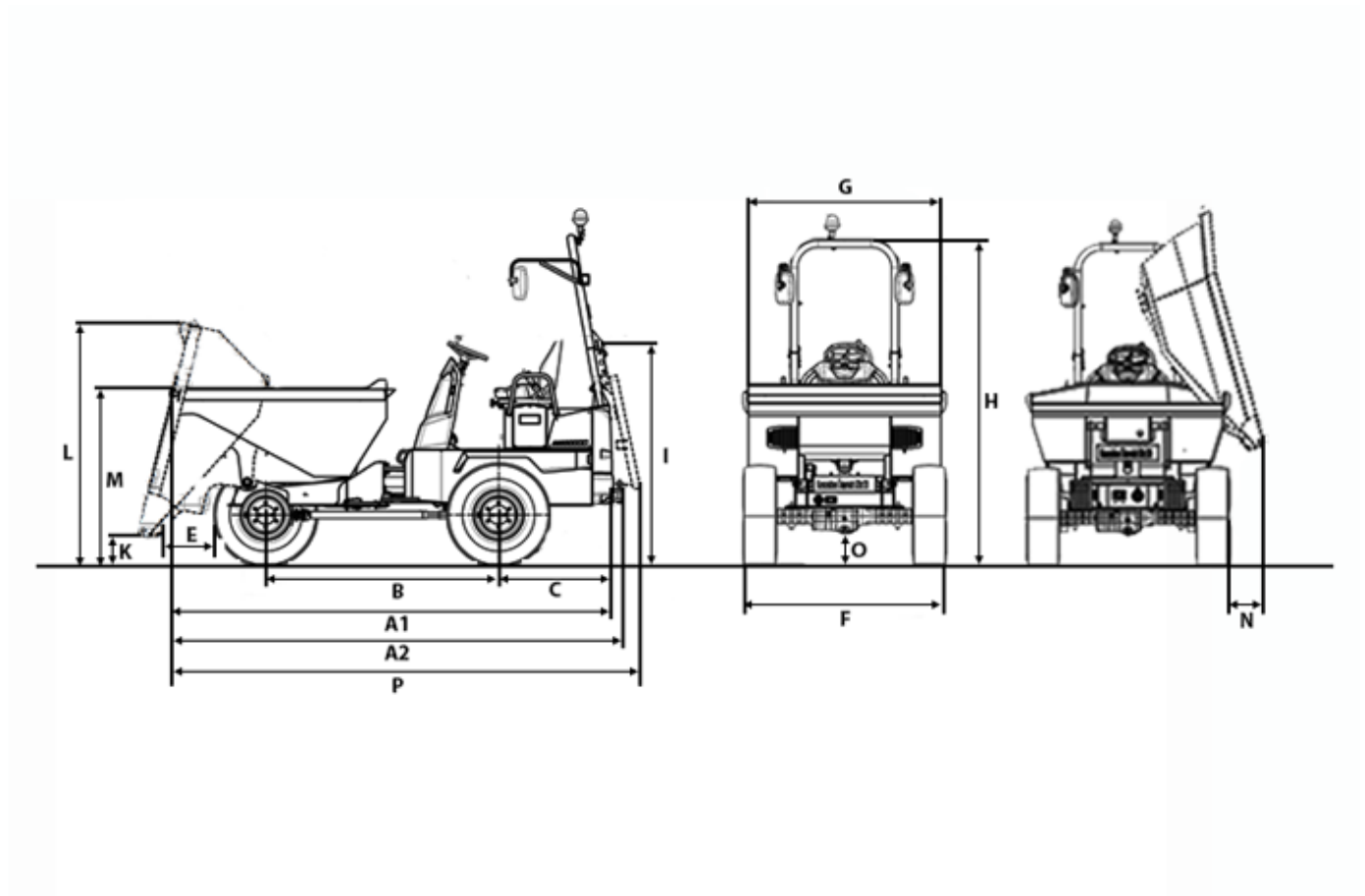
The compact and robust DW30 wheel dumper not only increases productivity in material handling, but also, thanks to countless safety features, increases the safety of the driver and that of the entire job site. All-wheel drive, constant tractive force combined with the articulated pendulum joint and gradeability of up to 50% make the DW30 a true off-road and on-road professional. At the same time the low service and maintenance costs are simply convincing. Thanks to the Stage 5 engine, all exhaust emission requirements are met even without a diesel particulate filter.

- Ascent and descent on both sides: Even if the device stands close to an obstacle or is used for unloading on one side, the control stand can be left and climbed quickly, easily and above all safely on the other side.
- Thanks to the intuitive joystick operating concept and the clearly arranged dashboard, the operator has all important functions within easy reach.
- The articulated pendulum joint adapts to any unevenness on the construction site and remains stable in any situation. In combination with the partially locked differential on the front axle, excellent off-road mobility is guaranteed.
- Reliable, wear-free and durable, the spring-spoke parking brake is applied automatically as soon as the driver switches off the engine.

DW30 Technical specifications

	Front Tip Skip	Swivel Tip Skip
Operating data		
Payload kg	3,000	3,000
Shipping weight kg	1,987	2,142
Operating weight kg	2,098	2,253
Skip capacity leveled l	1,420	1,280
Skip capacity heaped l	1,800	1,750
Skip capacity liquid measure l	1,110	990
Engine / Motor		
Engine / Motor manufacturer	Yanmar	Yanmar
Engine / Motor type	3TNV76	3TNV76
Engine / Motor	Diesel	Diesel
Engine performance acc. to ISO 3046/1 kW	18.9	18.9
Emission standards stage	5	5
Displacement cm ³	1,116	1,116
Engine RPM rpm	3000	3000
Travel speed km/h	20	20
Articulation angle °	36	36
Pendulum angle °	15	15
Turning radius mm	3,900	3,900
Gradeability %	60	60
Tires	11.5/80-15.3 Mitas TS-05	11.5/80-15.3 Mitas TS-05
L x W x H mm	3,710 x 1,730 x 2,778	3,928 x 1,730 x 2,778
Steering pump	axial piston pump	axial piston pump
Flow rate l/min	66	66
Operating pressure bar	445	445
Duty pump	gear pump	gear pump
Flow rate l/min	33.4	33.4
Operating pressure bar	200	200
Fuel tank capacity l	35	35

DW30 Dimensions



		Front Tip Skip	Swivel Tip Skip
A1	Overall length	3,710 mm	3,928 mm
A2	Overall length with hitch	3,786 mm	3,904 mm
B	Wheelbase	1,945 mm	1,945 mm
C	Rear overhang	963 mm	963 mm
E	Dumping distance	543 mm	482 mm
F	Width	1,730 mm	1,730 mm
G	Skip width	1,730 mm	1,730 mm
H	Height ROPS	2,778 mm	2,778 mm
I	Height ROPS tilted	1,913 mm	1,913 mm
K	Dump height max.	233 mm	994 mm
L	Skip height skip tilted	2,074 mm	3,082 mm
M	Skip height	1,473 mm	1,475 mm
N	Dumping distance lateral		235 mm
O	Ground clearance	257 mm	257 mm
P	Length ROPS tilted	3,927 mm	4,045 mm
--	Dump angle	48 °	48 °

Please note: that product availability can vary from country to country. It is possible that information / products may not be available in your country. More detailed information on engine power can be found in the operator's manual; the stated power may vary due to specific operating conditions. Subject to alterations and errors excepted. Applicable also to illustrations.
Copyright © 2021 Wacker Neuson SE.