



Owner's Manual

Dri-Eaz[®] Building Dryer BD1000

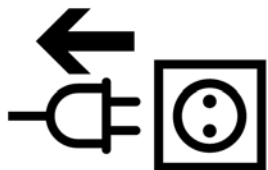
07-01742 MANUAL – OWNERS F435 (BD1000)

DRI-EAZ PRODUCTS, LTD.

22 Plover Close, Interchange Park, Newport Pagnell, MK16 9PS
Tel: +44 (0)1908-611-211 Fax: +44 (0)1908-611-363 www.dri-eaz.co.uk



WARNING:
Read and understand these warnings and instructions.
DO NOT operate the unit with covers open or removed.



WARNING:
Unplug before servicing.



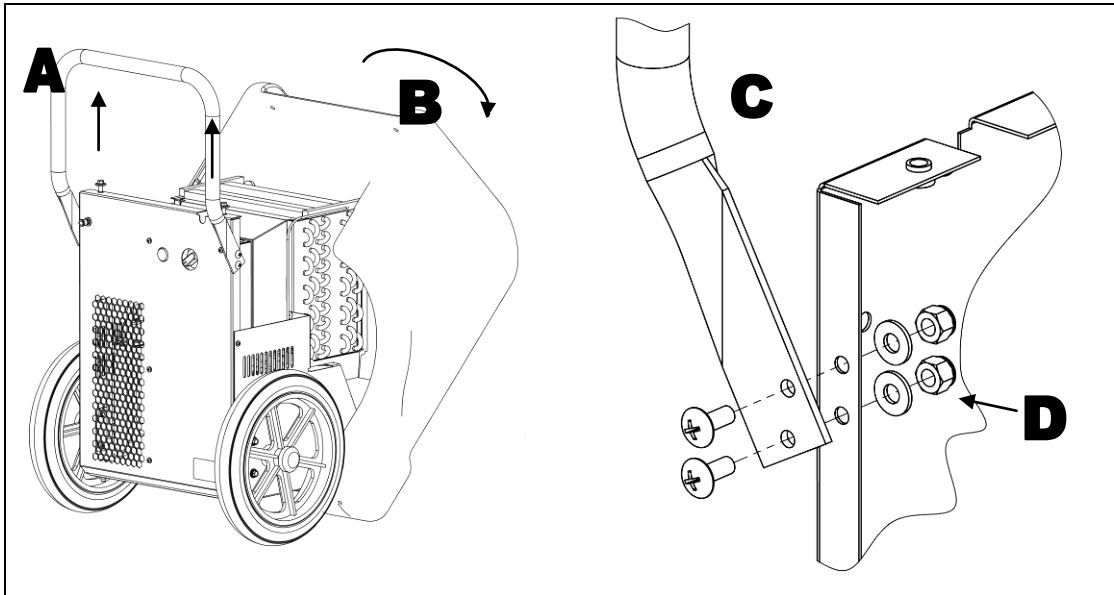
WARNING: ELECTRIC SHOCK HAZARD
Unplug before opening cover.
Use with a residual current device (RCD) where possible.
Ensure power cord is properly earthed.
Check that power cord is not damaged.
Unplug before opening cover.



WARNING:
Moving parts may injure hands. Unplug before servicing.

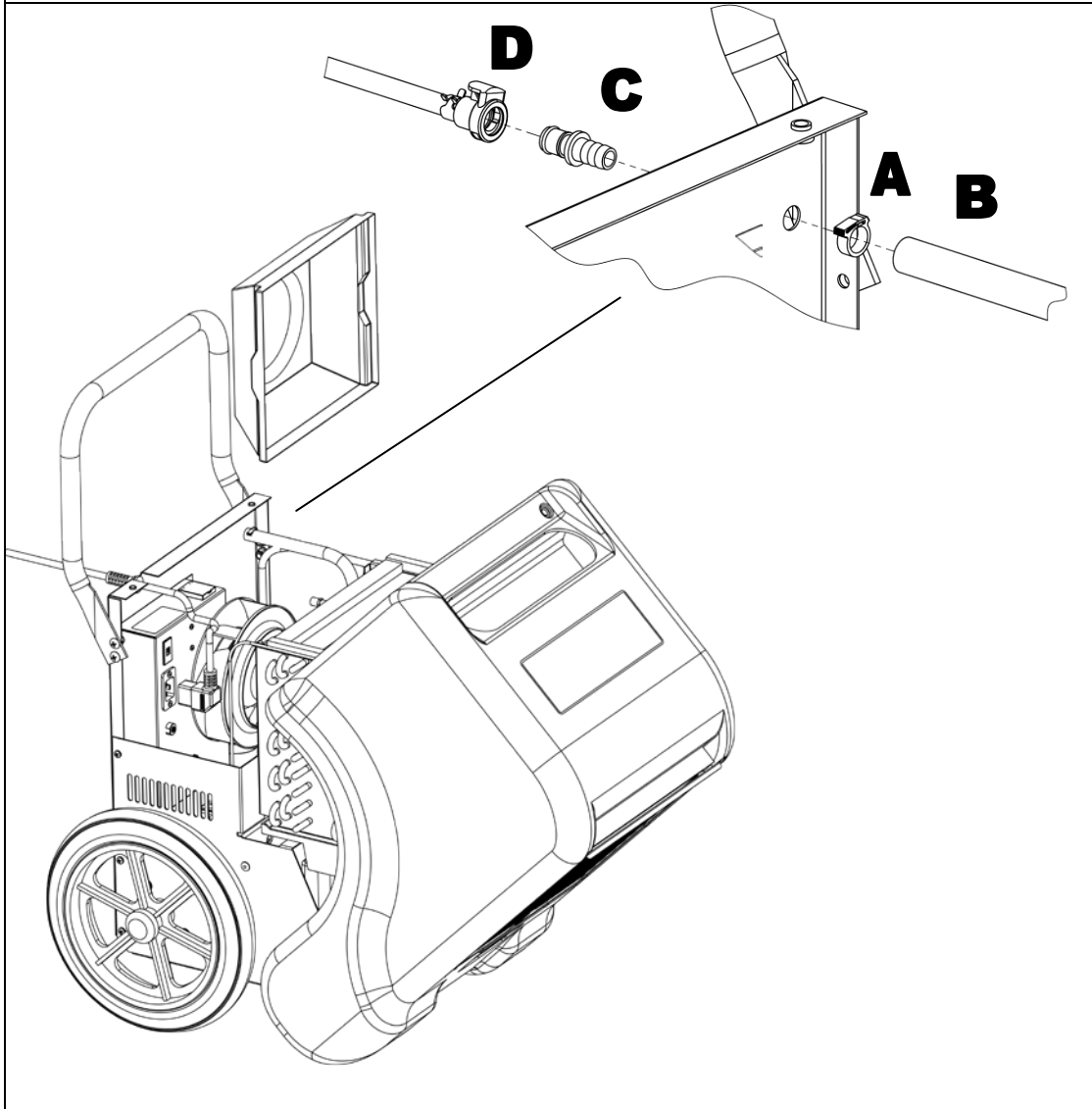


WARNING:
Surfaces may be hot. Allow unit to cool before servicing.



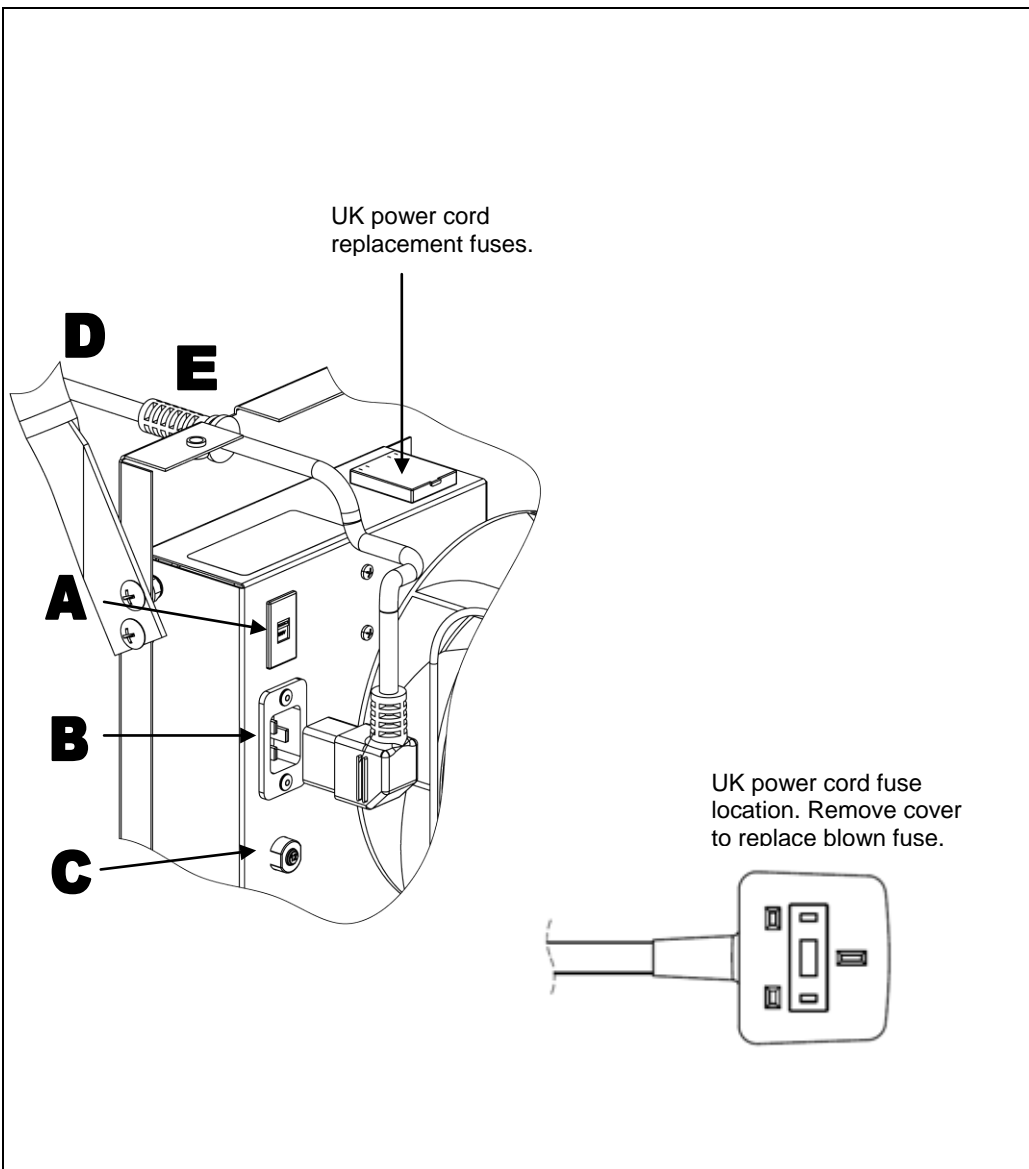
**INITIAL INSTALLATIONS
HANDLE INSTALLATION**

1. Remove 2 screws on top of moulded cover (A).
2. Hinge open front cover (B).
3. Place handle in upright position (C).
4. Secure handle with supplied screws, nyloc nuts and washers (D) as shown
5. Close cover and replace 2 screws. Tighten fully with a wrench.



**DRAIN HOSE
INSTALLATION**

1. After opening the housing, place hose clamp (A) over end of interior drain hose (B) and thread drain hose through hole in rear cabinet wall.
2. Insert nipple (C) into end of drain hose. Tighten hose clamp (A).
4. Exterior drain hose may now be attached to quick-connect (D) for use.



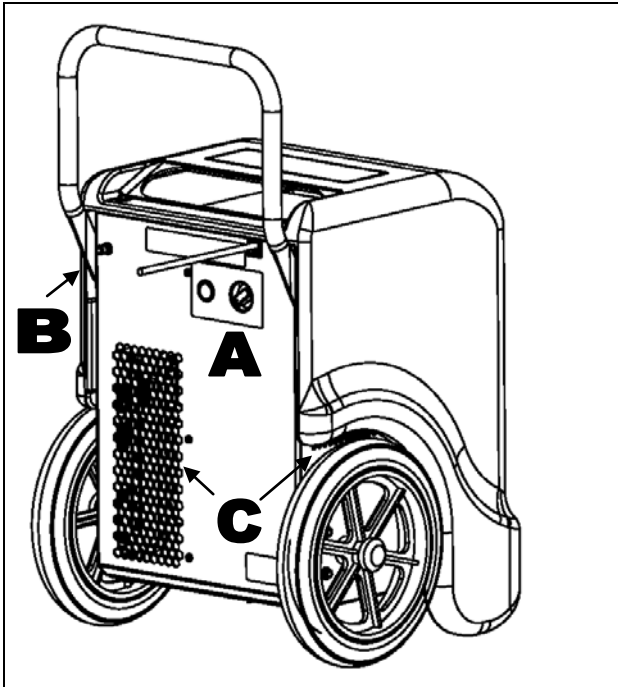
POWER SETUP

1. Remove 2 screws on top of moulded cover and hinge open.
2. **Voltage selection.** Select 115V or 230V on the VOLTAGE SELECTION switch (A).
3. Plug correctly rated power cord (D) into power receptacle (B). (See p. 7 for available cords.)
4. Slide cable strain relief fitting (E) into cord grip slot in back panel.
5. Check that cable is correctly positioned into outlet slot and close cover. Close cover and replace 2 screws. Tighten fully with a wrench.

Reset after incorrect voltage selection: The electrical system is internally protected against incorrect voltage selection. To reset following incorrect connection, disconnect the power cord and press the CIRCUIT BREAKER button (C). Select correct voltage (A) before connecting the power cord.

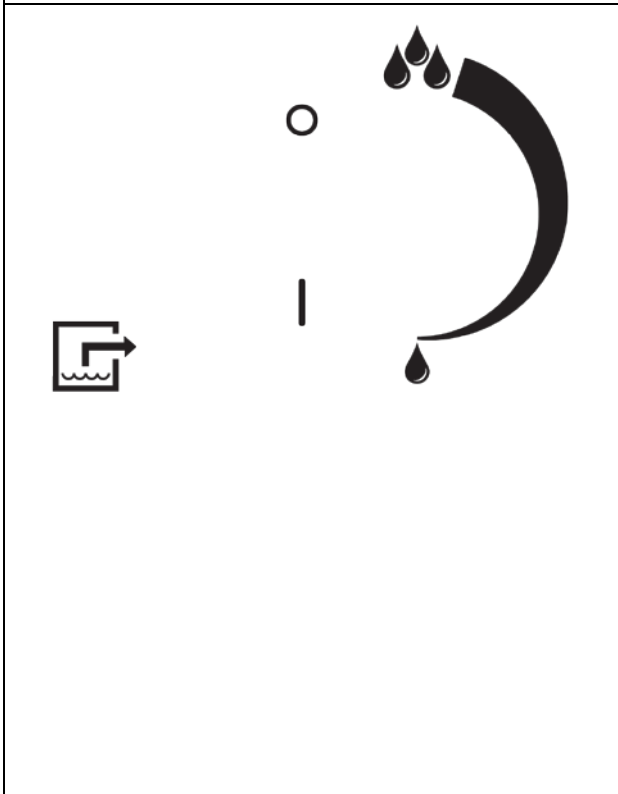
Replacement 13 amp Fuses for UK power cord:

If the voltage selection switch is set to 115V and 230V power is supplied to the unit, the breaker may trip and/or the fuse in the UK power cord (left) plug may blow. Replace with spare fuse (stored in spare fuse box) if necessary.



USER CONTROLS

- (A) Control panel (see Control Panel detail below).
- (B) Condensate drain hose connector. Attach hose with quick-connect, then uncoil completely, ensuring there are no kinks or restrictions. Place end in drain or receptacle before operation.
- (C) Process air outlets. **IMPORTANT:** Do not block airflow.



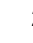
Control Panel (detail)



Purge pump button. Press and hold to purge pump.

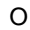
IMPORTANT

To help prevent drip tray overflow after using the dehumidifier, always purge the unit before moving.

1. Turn the unit off and allow the plugged in dehumidifier to rest for 10 minutes.
2. Press the  PURGE button. Hold until no more water is pumped out of the house.
3. Remove the dehumidifier promptly from the job site.



Humidity control. Set to desired dehumidification level.

 = Off



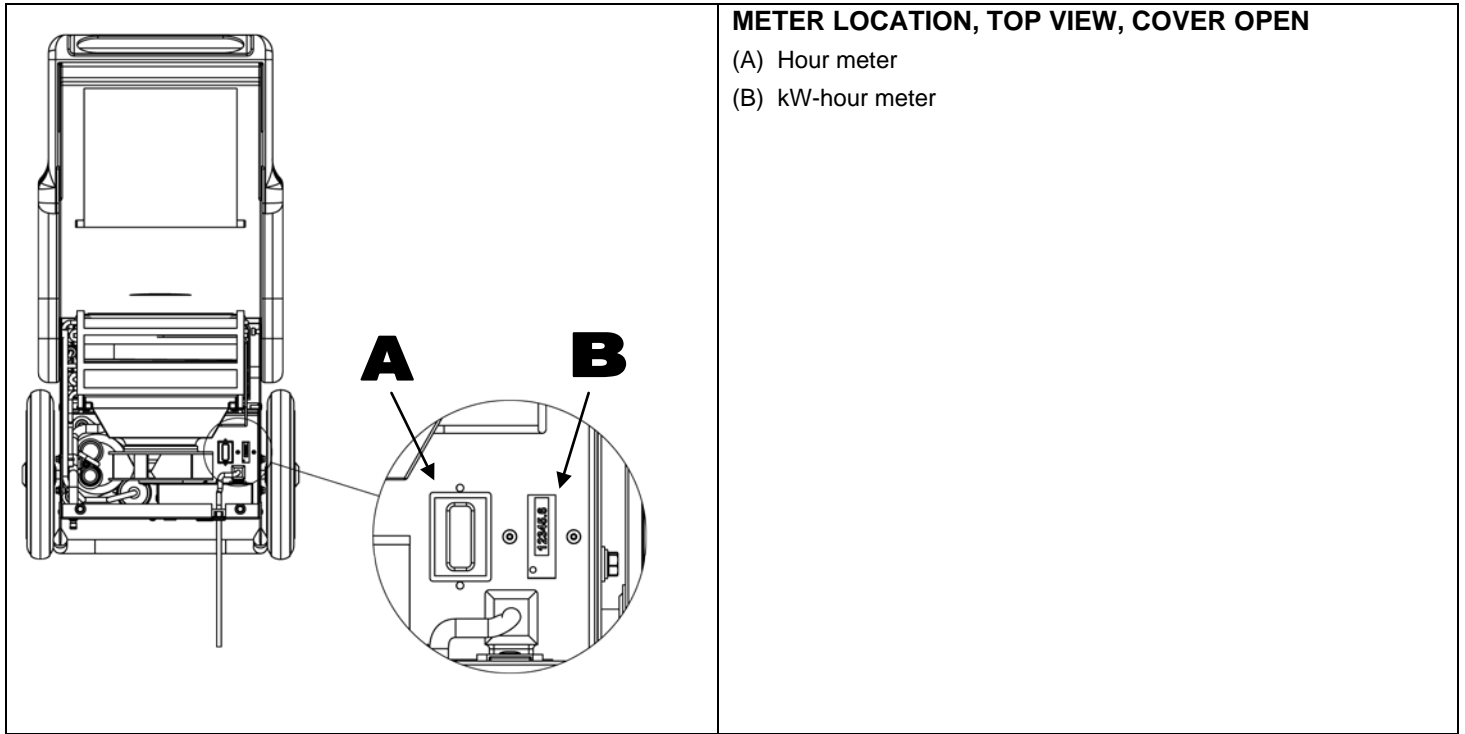
= Maintains higher humidity



= Maintains lower humidity



= Maximum dehumidification



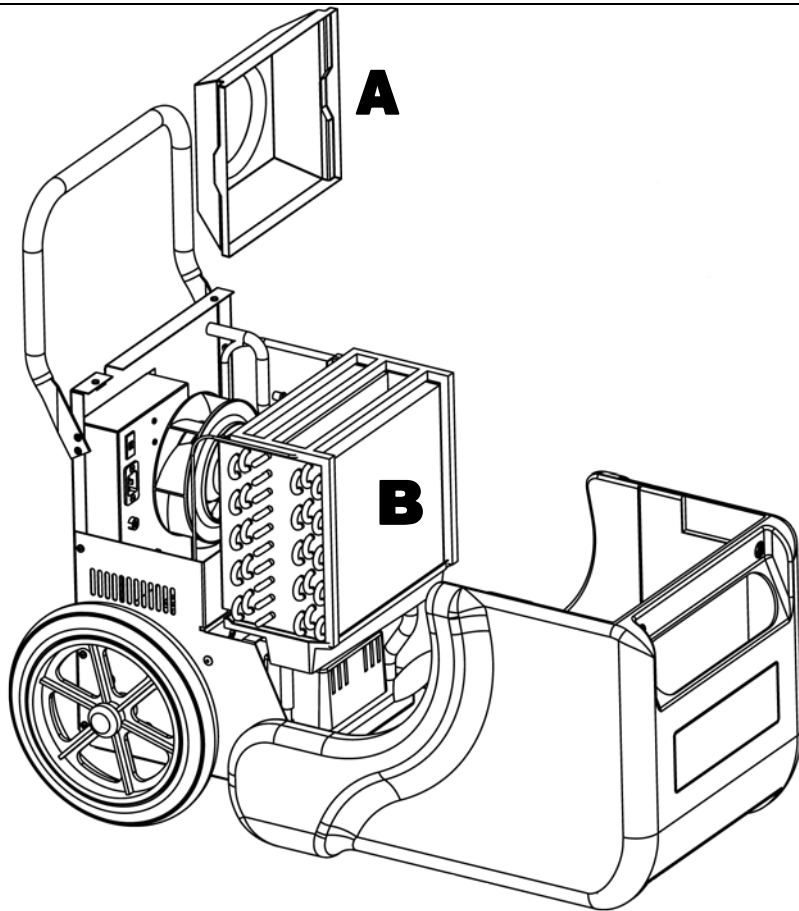
METER LOCATION, TOP VIEW, COVER OPEN

- (A) Hour meter
- (B) kW-hour meter

Storage & Transport

Store the building dryer vertically. If transported horizontally, position dryer in normal operating position and leave in place for 30 minutes to allow refrigerant to recirculate before use.

CLEANING



Safety Precautions



IMPORTANT. Unplug unit from electrical supply before starting to clean.

Filter Cleaning

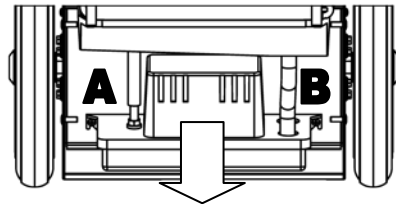
1. 3M HAF filters can be cleaned up to 3 times by vacuuming. Do not apply liquids.
2. Fibreglass and paper filters cannot be cleaned and should be replaced when full.

External Cleaning

1. Wipe surfaces with damp cloth.

Internal Cleaning

1. Remove 2 screws on top of moulded cover.
2. Hinge open moulded cover
3. Slide up and remove Fan Shroud (A) for cleaning.
4. Vacuum coils (B).
5. Clean pumpout. See "Pumpout Cleaning" below.
6. When finished, hinge cover closed. Ensure that the power cable and strain relief is correctly positioned into cable outlet slot on chassis. Secure cover with 2 screws.



Pumpout cleaning

1. After opening the housing, remove screws (A) and (B). Remove drain hose from basin cover. 2. Slide pump assembly out and place on firm surface (electrical cable will remain attached). 3. Lift pump off catch tray. Wipe out tray with a clean cloth. 4. Reassemble, slide tray in and reattach with screws. Make sure electrical cable is tucked in neatly above the pump before closing lid.

Power Cord Options

The following power cord options are available:

13A / 230V 3 pin plug BS1363 to 16A IEC socket. 5 m long.

Order code F457 (02-01644)

16A / 110V 3 pin plug IEC60309 to 16A IEC socket. 5 m long.

Order code F456 (02-01641)

16A / 230V 2 pin plug CEE7/7 to 16A IEC socket. 5 m long.

Order code F458 (02-01645)

NOTICE: Before attaching power cord, select correct supply voltage (115V or 230V 50 Hz) using voltage selection switch located inside the unit. See Voltage Selection, p. 3.

Call +44 (0)1908 611211 to order power cords and filters.

SERVICE

Dri-Eaz Products, Ltd.

22 Plover Close

Interchange Park

Newport Pagnell

MK16 9PS

United Kingdom

Tel. +44 (0)1908 611211

Fax. +44 (0)1908 611363

SPECIFICATIONS

Name	Building Dryer BD1000 Model F435
Dimensions (W x H x D)	50 x 51 x 85 cm
Water removal (AHAM)	25 L/day (27°C/60%RH)
Water removal (Max)	48 L/day (32°C/90%RH)
Water removal (EU standard)	21 L/day (20°C/60%RH)
Water removal (EU standard)	42.6 L/day (30°C/80%RH)
Sound level	73.4 dB (avg.)
Air movement	350 m ³ /hr
Weight	39 kg
Power	0.76 kW
Humidistat control	30–100%
Condensate pump	Internal (included)
Condensate pump lift capacity	6.1 m
Operating temperature range	1°– 38°C

Filter Options

3M HAF filter: Order code F368A

Fibreglass filter: Call for order information