



# SmartGuard<sup>®</sup>

[www.actavo.com](http://www.actavo.com)

**Actavo** 

# SmartGuard<sup>®</sup> User Guide: Safety

Our SmartGuard<sup>®</sup> system is designed to provide edge protection around the working platform of steel trestles in accordance with 'The Work at Height Regulations 2005'.

The installation process is made simple by the modular components; however care should be taken to follow the safety guidelines.

## Safety Compliance

The new Work at Height Regulations applies to all work at height where there is a risk of a fall, liable to cause personal injury.

The SmartGuard<sup>®</sup> system has been designed in compliance with the regulations and has been fully tested in accordance with BS EN13374 (Class A) Temporary Edge Protection System.

## Safety Notes

- It is recommended that the user wear suitable gloves, head protection and safety footwear during the erection and dismantling process.
- This system should only be constructed on a firm, level base.
- It is recommended that a minimum of 2 persons carry out the erecting and dismantling of the system.
- Always visually inspect the component parts prior to erecting the system. Do not attempt to use any defective parts. If any parts are damaged obtain replacements from the supplier.
- The component parts of this SmartGuard<sup>®</sup> system have been designed and tested for use with Trestles supplied by Actavo.



### Actavo

UK Head office: Unit C, Cedar Court Office Park, Denby Dale Road, Calder Grove, Wakefield, WF4 3QZ

Tel: +44 (0)1924 416000 Email: [enquiries.uk@actavo.com](mailto:enquiries.uk@actavo.com)

[www.actavo.com](http://www.actavo.com)

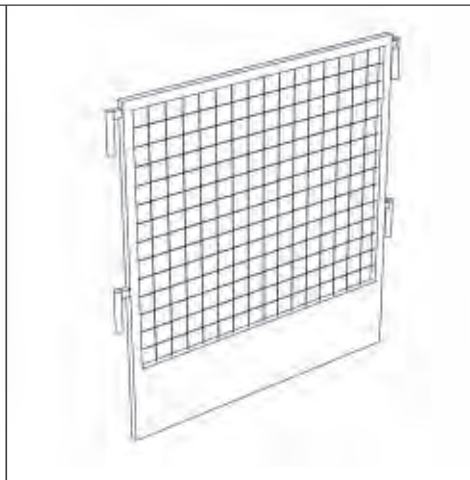


# SmartGuard® User Guide: Components



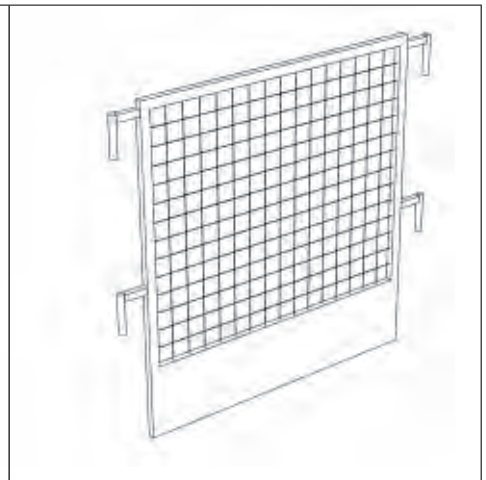
**SmartGuard® Post**

Code: 066080  
Dimensions: 1000mm Long  
Weight: 3.4kg



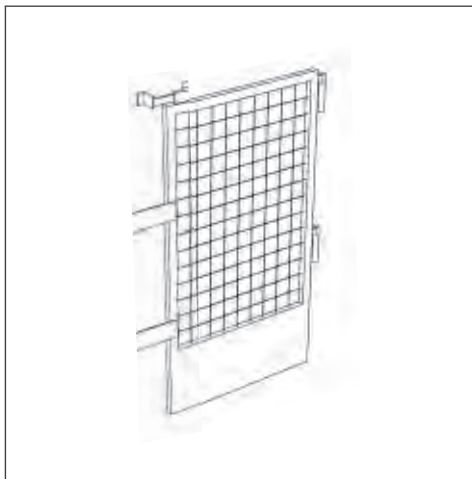
**SmartGuard® Panel**

Code: 066081  
Dimensions: 980mm x 980mm  
Weight: 8.4kg



**SmartGuard® End Panel [Red]**

Code: 066082  
Dimensions: 1000mm x 1000mm  
Weight: 8.5kg



**SmartGuard® Half Panel**

Code: 066070  
Dimensions: 500mm x 980mm  
Weight: 5.3kg



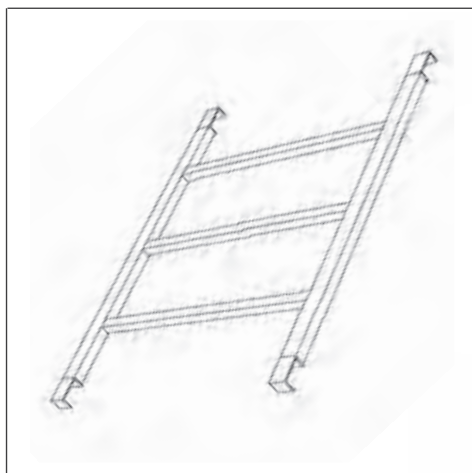
**SmartGuard® Handrail      End Handrail [Red]**

Code: 066083      066088  
Dimensions: 980mm      1000mm  
Weight: 1.2kg      1.3kg



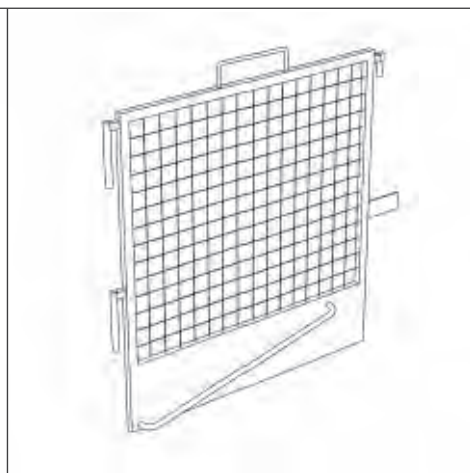
**SmartGuard® Stabiliser**

Code: 066084  
Dimensions: 500mm  
Weight: 3.9kg



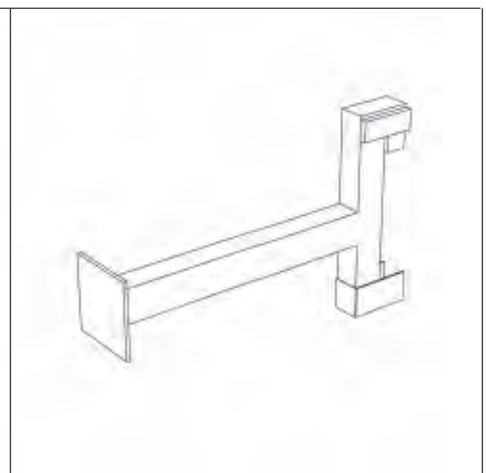
**SmartGuard® Bridging Deck**

Code: 066085  
Dimensions: 980mm x 980mm  
Weight: 6.4kg



**SmartGuard® Access Gate**

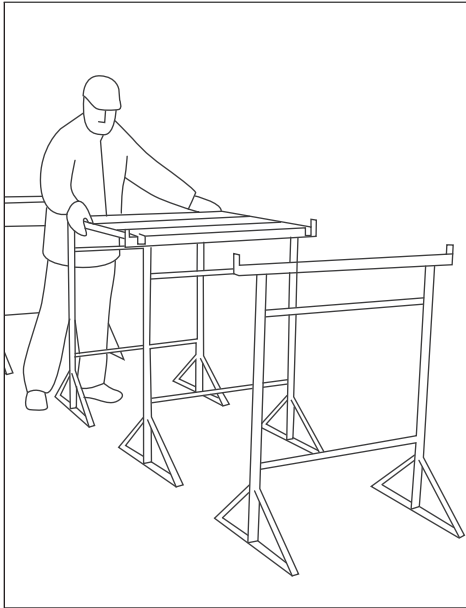
Code: 066086  
Dimensions: 980mm x 980mm  
Weight: 9.7kg



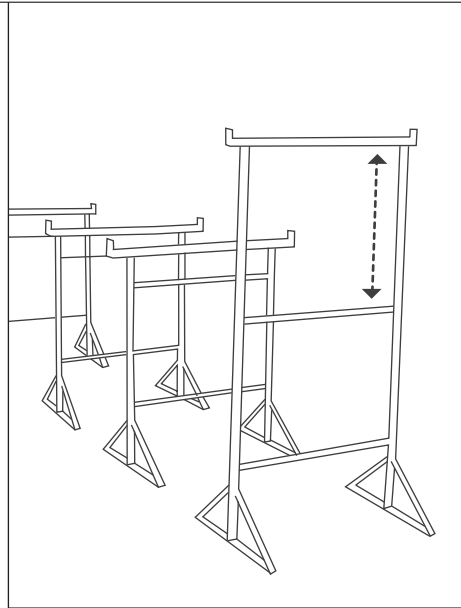
**SmartGuard® Ladder Access Bracket**

Code: 066087  
Dimensions: 450mm x 300mm  
Weight: 2.9kg

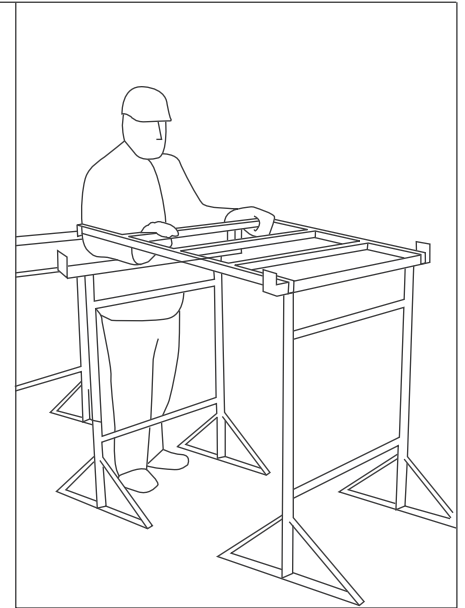
# SmartGuard® User Guide: Step by Step



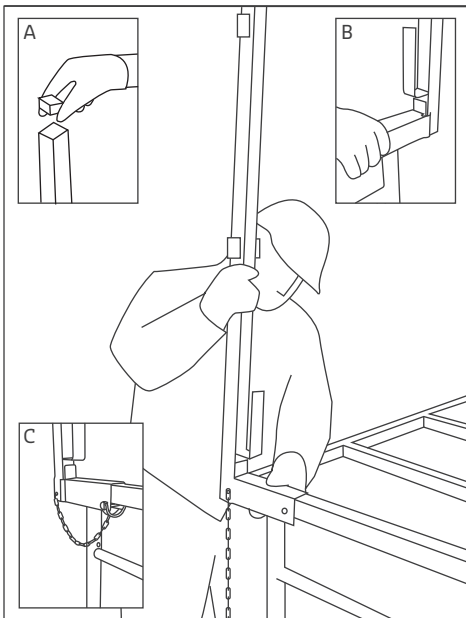
**1** Place builders trestles spaced 1m apart along the length of the workplace. The SmartGuard® Bridging Deck may be used as a measure to ensure the trestles are placed at exactly the correct spacing.



**2** Adjust the builders trestle platform height by extending or lowering the trestle inner, then lock in position with locating pin.

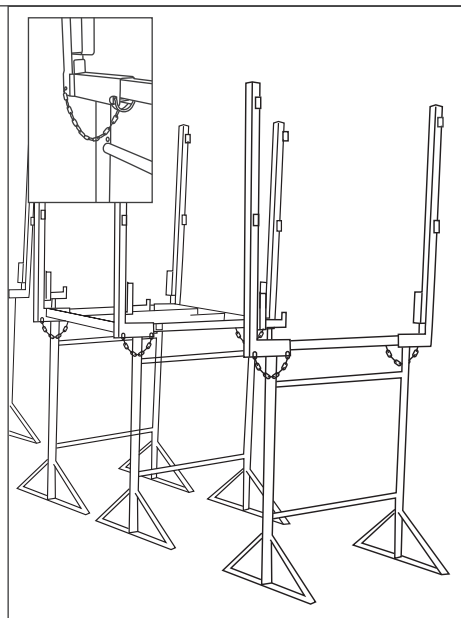


**3** Should the working platform require more than one run of boards, a SmartGuard® Bridging Deck **MUST** be installed at the point where the boards meet to avoid overlapping that would cause a tripping hazard.

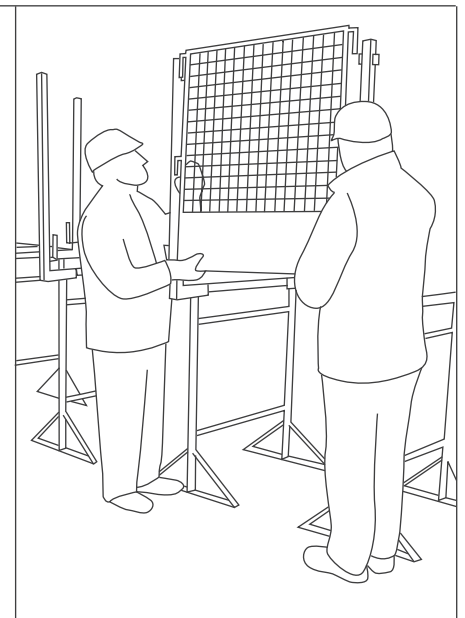


**4** Identify a suitable location for the SmartGuard® Access Gate and Ladder Access Bracket. In order to minimise components required, the access gate should be installed in the same location as a bridging deck.

Remove the plastic cap from a post (Inset A) then place the post on the trestle top located to the right hand side of the access bay, ensuring the trestle board stop is protruding through the gap in the post (Inset B) and locked in position with the retaining pin and spring clip (Inset C).



**5** Fit all remaining SmartGuard® Posts around the outside edge of the working platform ensuring the posts are correctly seated and locked in position with the retaining pin and spring clip [Inset].



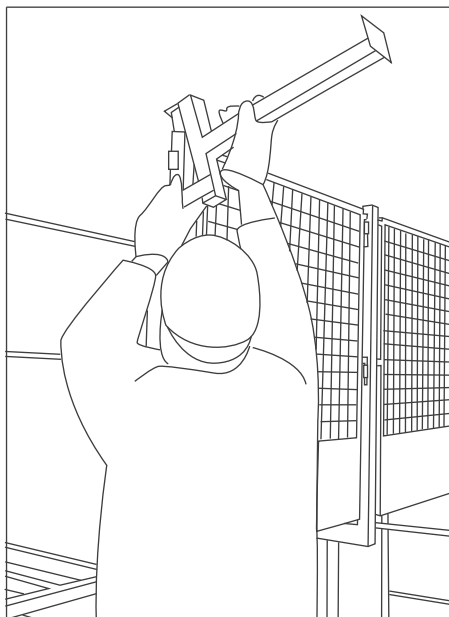
**6** Install SmartGuard® Panels between posts by inserting the locating pins on the panel into the eyes on the posts. The top pins should be located first followed by the lower pins. The ladder access bay should be left clear as a gate will be installed later.

## Actavo

UK Head office: Unit C, Cedar Court Office Park, Denby Dale Road, Calder Grove, Wakefield, WF4 3QZ Tel: +44 (0)1924 416000 Email: [enquiries.uk@actavo.com](mailto:enquiries.uk@actavo.com)  
[www.actavo.com](http://www.actavo.com)



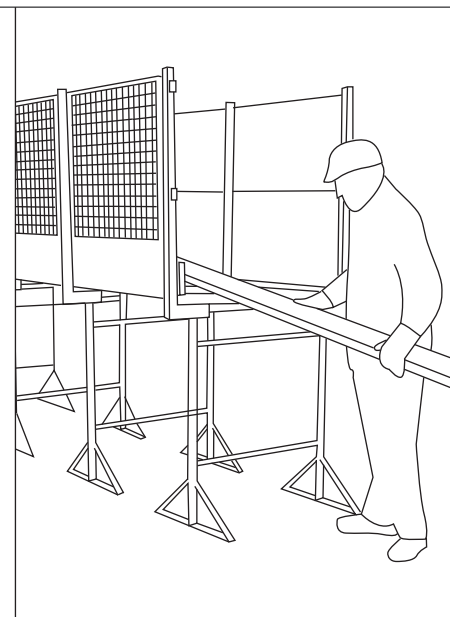
# SmartGuard® User Guide: Step by Step



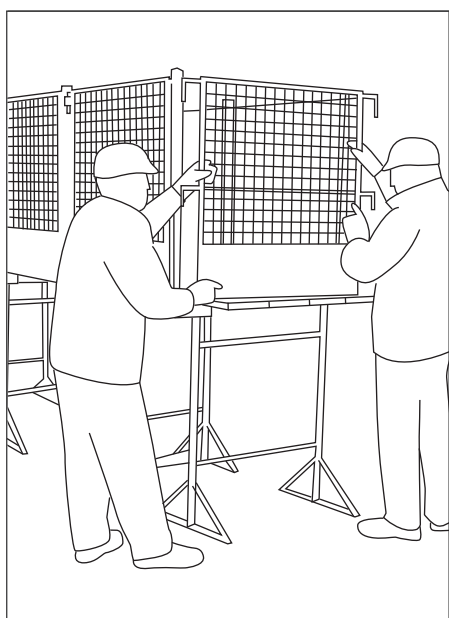
**7** Install the SmartGuard® Ladder Access Bracket by inserting the locating spigot of the bracket down the top of the post (where the plastic cap was removed earlier), ensuring the ladder rest is positioned away from the working platform. (NB: if the trestle is fully extended a suitable ladder must be used to gain access to fit the bracket.)



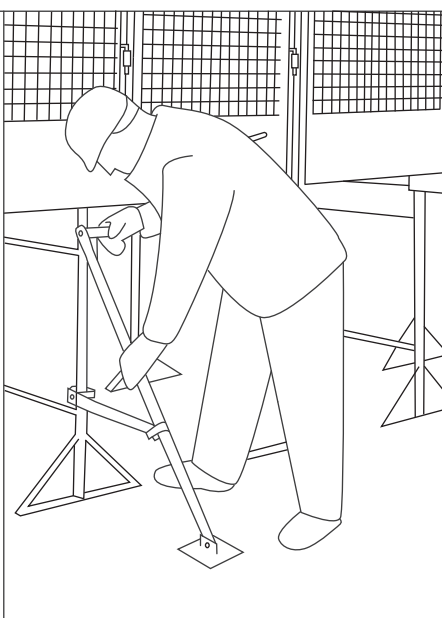
**8** The Access Gate should now be placed in the proposed access bay ensuring the gate opens to the right and inwards towards the working platform. Fasten the locking thumb screw on to the lower elongated hinge pin to prevent accidental removal of the access gate (Inset). (NB: A Bridging Deck MUST always be used on the same bay as an Access Gate.)



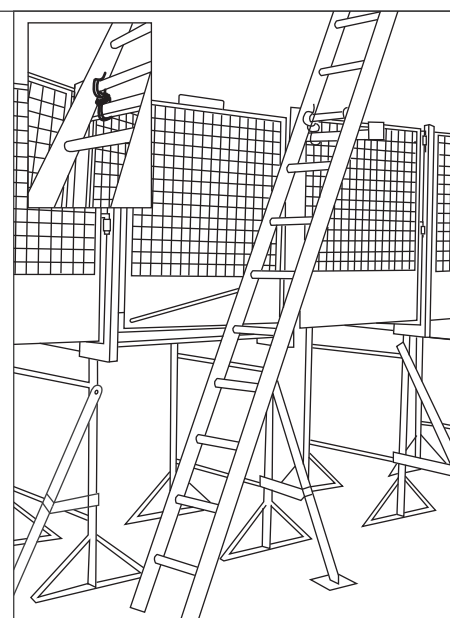
**9** Place the required number of boards onto the trestles to create the working platform.



**10** Install SmartGuard® End Panels between posts by inserting the locating pins on the panel into the eyes on the posts. The top pins should be located first followed by the lower pins.



**11** Attach stabilisers to the outside leg of each of the builders trestles ensuring that both fittings are placed above the horizontal tubular supports, then secure with wing nuts.



**12** Place a suitable ladder against the SmartGuard® Ladder Access Bracket ensuring the ladder is securely fixed to the bracket (Inset). Reposition the stabiliser at the foot of the ladder to avoid a potential tripping hazard. This completes the installation process.

# SmartGuard®

## User Guide: Component Calculator

Please find below two tables of contents that we have compiled to enable you to clearly select the required number of components to safely use the SmartGuard® System.

Risk assessment prior to the erecting of this product will determine if inside handrail protection is required. SmartGuard® Handrails or Panels can be used on the inside face of the working platform. When using handrails a standard scaffold board can be installed on its edge into the retaining plates at the foot of the post to act as a toeboard if required.

Please note: When compiling this table we have assumed that standard 3.9m (13ft) scaffold boards are being used at all times. Various other lengths of scaffolding boards can of course be used, but care should be taken to increase the required number of SmartGuard® Bridging Decks accordingly.

### Component Calculator [without inside handrails]

### Working Platform Length

Code	Product	3m	7m	11m	15m	19m
N/A	Trestles	4	8	12	16	20
N/A	3.9m (13ft) Scaffolding Boards	4	8	12	16	20
066080	SmartGuard® Post	6	10	14	18	22
066081	SmartGuard® Panel	2	6	10	14	18
066082	SmartGuard® End Panel	2	2	2	2	2
066083	SmartGuard® Handrail	-	-	-	-	-
066088	SmartGuard® End Handrail	-	-	-	-	-
066084	SmartGuard® Stabilisers	4	8	12	16	20
066085	SmartGuard® Bridging Deck	1*	1	2	3	4
066086	SmartGuard® Access Gate	1	1	1	1	1
066087	SmartGuard® Ladder Access Bracket	1	1	1	1	1

\* Please note the bridging deck MUST always be installed in the same bay as an access gate – even in instances where there is only one run of boards. Where a location specific access point is required, then an additional bridging deck MUST be used.

# SmartGuard®

## User Guide: Component Calculator

### Component Calculator [with inside handrails]

### Working Platform Length

Code	Product	3m	7m	11m	15m	19m
N/A	Trestles	4	8	12	16	20
N/A	3.9m (13ft) Scaffolding Boards	4	8	12	16	20
066080	SmartGuard® Post	8	16	24	32	44
066081	SmartGuard® Panel	2	6	10	14	18
066082	SmartGuard® End Panel	2	2	2	2	2
066083	SmartGuard® Handrail	6	14	22	30	38
066088	SmartGuard® End Handrail	-	-	-	-	-
066084	SmartGuard® Stabilisers	4	8	12	16	20
066085	SmartGuard® Bridging Deck	1*	1	2	3	4
066086	SmartGuard® Access Gate	1	1	1	1	1
066087	SmartGuard® Ladder Access Bracket	1	1	1	1	1

\* Please note the bridging deck MUST always be installed in the same bay as an access gate – even in instances where there is only one run of boards. Where a location specific access point is required, then an additional bridging deck MUST be used.

## SCOTLAND & NORTH REGION

### Dundee

6 George Buckman Drive,  
Dundee, DD2 3SP  
Tel: 01382 227 552  
dundee.hire@actavo.com

### Edinburgh

Unit 2, West Harbour Road,  
Granton, Edinburgh, EH5 1PP  
Tel: 0131 552 7534  
edinburgh.hire@actavo.com

### Gateshead

Nest Road, Felling Industrial Estate,  
Gateshead, Tyne & Wear, NE10 0LU  
Tel: 0191 469 8125  
gateshead.hire@actavo.com

### Glasgow

37 Colquhoun Avenue,  
Hillington Industrial Estate,  
Glasgow, G52 4PL  
Tel: 0141 810 8350  
glasgow.hire@actavo.com

### Manchester

Elm Grove, Sale, Cheshire,  
M33 7JY  
Tel: 0161 969 3925  
manchester.hire@actavo.com

### Teesside

Brenda Road, Hartlepool, TS25 2BT  
Tel: 01429 261 444  
teesside.hire@actavo.com

## CENTRAL REGION

### Brigg

Island Carr Industrial Estate,  
Island Carr Road, Brigg,  
North Lincolnshire, DN20 8PD  
Tel: 01652 601 390  
brigg.hire@actavo.com

### King's Lynn

23 Maple Road,  
Saddlebow Industrial Estate,  
King's Lynn, Norfolk, PE34 3AH  
Tel: 01553 771 465  
kingslynn.hire@actavo.com

### Leeds

Unit 7, Hawthorne Court,  
Howley Park Road, Morley,  
Leeds, LS27 0BN  
Tel: 0113 387 0630  
leeds.hire@actavo.com

### Norwich

Arminghall Close, Woodcock Road,  
Norwich, NR3 3UE  
Tel: 01603 309 010  
norwich.hire@actavo.com

### Nottingham

Manor House Road, Long Eaton  
Nottingham, NG10 1LR  
Tel: 0115 946 7660  
nottingham.hire@actavo.com

### Peterborough

Unit 5, Fengate Trade Park,  
Second Drive, Peterborough,  
Cambridgeshire, PE1 5XA  
Tel: 01733 890 009  
peterborough.hire@actavo.com

### South Yorkshire

Unit 14, Meadow Bank Works,  
Meadow Bank Road, Rotherham,  
South Yorkshire, S61 2NF  
Tel: 01709 554 149  
southyorkshire.hire@actavo.com

## SOUTH EAST REGION

### Chelmsford

Unit 14, Temple Wood Industrial  
Estate, Stock Road, Chelmsford,  
CM2 8LA  
Tel: 01277 841 670  
chelmsford.hire@actavo.com

### East London - Bow

Unit 3, Primrose Works,  
10 Stour Road, Bow, London,  
E3 2NT  
Tel: 020 8533 7333  
bow.hire@actavo.com

### South London - Thornton Heath

Station Yard, 56 Brigstock Road,  
Thornton Heath, Surrey, CR7 8RX  
Tel: 020 8689 6044  
croydon.hire@actavo.com

### Luton

227-231 Selbourne Road,  
Luton, Bedfordshire, LU4 8NR  
Tel: 01582 491 000  
luton.hire@actavo.com

### Maidstone

Unit 4, St Michaels Close,  
Aylesford, ME20 7XE  
Tel: 01622 794 450  
kent.hire@actavo.com

### West London - Uxbridge

Wallingford Road, Uxbridge,  
Middlesex, UB8 2XS  
Tel: 01895 527 666  
uxbridge.hire@actavo.com

## SOUTH WEST REGION

### Birmingham

319 Shady Lane, Great Barr  
Birmingham, B44 9EA  
Tel: 0121 366 7840  
birmingham.hire@actavo.com

### Bournemouth

Unit 158, Eastern Business Park,  
Bournemouth International Airport,  
Christchurch, Dorset, BH23 6NE  
Tel: 01202 591 255  
bournemouth.hire@actavo.com

### Bristol

Silverthorne Lane, St. Philips,  
Bristol, Avon, BS2 0QD  
Tel: 0117 972 3353  
bristol.hire@actavo.com

### Cardiff

Longships Road, Cardiff Docks  
CF10 4RP  
Tel: 029 2079 1188  
cardiff.hire@actavo.com

### Chichester

Units A & B, Tokar Industrial Estate,  
Yapton Lane, Walberton,  
West Sussex, BN18 0AS  
Tel: 01243 558 290  
chichester.hire@actavo.com

### Exeter

Cofton Road, Marsh Barton,  
Exeter, Devon, EX2 8QW  
Tel: 01392 273 595  
exeter.hire@actavo.com

### Truro

Perranwell Station,  
Perranwell, Near Truro,  
Cornwall, TR3 7LG  
Tel: 01872 870 078  
truro.hire@actavo.com

## SHORING

### Birmingham

319 Shady Lane, Great Barr  
Birmingham, B44 9EA  
Tel: 0121 366 7840  
birmingham.shoring@actavo.com

### Northampton

21-22 Enterprise Road, Raunds  
Northampton, NN9 6JE  
Tel: 01933 462 190  
raunds.shoring@actavo.com

### West London - Uxbridge

Wallingford Road, Uxbridge,  
Middlesex, UB8 2XS  
Tel: 01895 527 675  
uxbridge.shoring@actavo.com

## IRELAND

### Cork

Silver Bullet Industrial Estate,  
Glanmire, Co. Cork, Ireland  
Tel: +353 21 486 6400  
cork.hire@actavo.com

### Dublin

Killeen Road, Dublin,  
Co. Dublin, Ireland  
Tel: +353 1 601 1500  
dublin.hire@actavo.com

### Galway

Airglooney Industrial Estate,  
Tuam, Co. Galway, Ireland  
Tel: +353 93 60470  
galway.hire@actavo.com

### Santry

Turnapin Lane, Old Swords Road,  
Cloghran, Co. Dublin, Ireland  
Tel: 01 901 8690  
dublin.hire@actavo.com



### Hire & Sales Solutions

Unit C, Cedar Court Office Park, Denby Dale Road, Calder Grove,  
Wakefield, West Yorkshire, WF4 3QZ  
Tel: +44 (0)1924 416000 | Fax: +44 (0)1924 366250  
Email: quoteme@actavo.com

Also available online

[www.actavo.com](http://www.actavo.com)

[www.actavodirect.com](http://www.actavodirect.com)