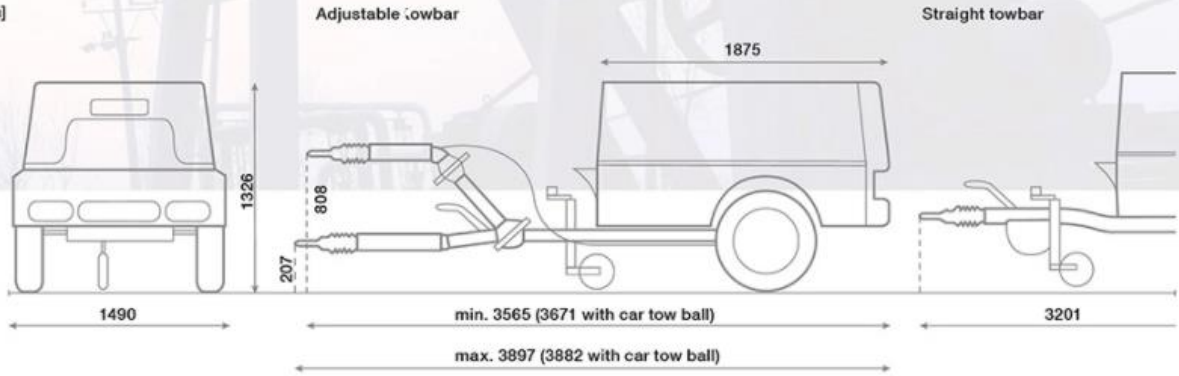
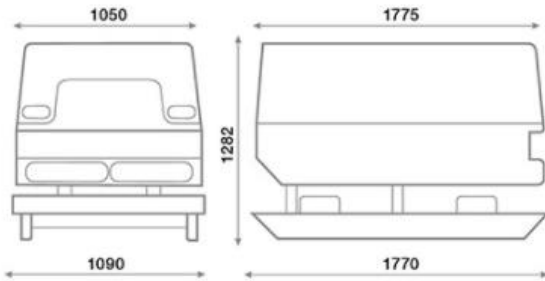


# Technical Data - C35-10 to C50

[mm]



Skid mount



Base mount

