

Designed For Use On Rooftops

MFC 750 Mini Floor Crane [900kg]

Featuring a lifting capacity of up to 900kg the MFC 750 floor crane has been designed for use on rooftops and in confined areas and is also perfect for lifting loads over obstacles on site.

Designed for use with below the hook vacuum lifters, the MFC 750 can also be used with an electric hoist to raise loads from the ground up.

The MFC 750 features a maximum hook height of 2.9 metres and its swivel castors make it ideal for travelling across smooth, flat surfaces.

This versatile floor crane also features an optional Z Boom to allow loads to be lifted and lowered over balustrades, walls and permanent structures on site. It also includes an extension arm to easily lift materials below building overhangs and soffits.

Key Features

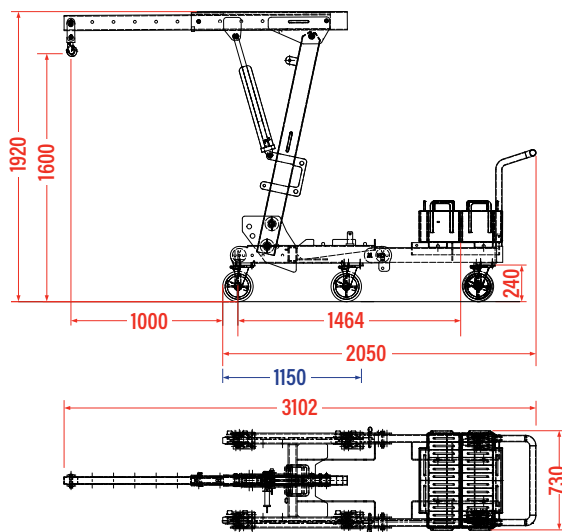
- **Capacity: 745kg (short chassis), 900kg (long chassis)**
- **Maximum lifting height: 2.9m**
- **Weight: 644kg (in long configuration with 2 x boxes of counterweights)**
- **Can be broken down for transportation and to enable access to restricted or hard to reach areas**

Reference Code

MCO19



Technical Data (mm)



*Capacity of 745kg (short chassis) and 900kg (long chassis) is only when 2 full boxes of counterweights are used.

Technical Specifications

	MFC 750 Long	MFC 750 Short
Maximum lifting height	2.9m	2.9m
Machine width	730mm	730mm
Capacity (normal boom)	900kg	745kg
Weight (w/2 x boxes counterweights)	644kg	618kg

Capacities mentioned on the above table are only applicable when the front wheels are facing forwards and normal length boom. If the wheels are in any other position the maximum safe working loads will reduce. Weight is with 2 full boxes of counterweights. Each counterweight weighs 16kg.

Optional Long Boom



The optional long boom increases the maximum distance from front wheel to hook to 2300mm from 1400mm when using the normal boom, the maximum working height is also increased to 3.35m.

The long boom can only be used when the MFC 750 is in the long configuration and with 2 full boxes of counterweights. The maximum capacity is also reduced to 510kg. Please see Rated Loads chart for more.

The MFC 750 chassis can be shortened to reduce the working length of the machine for reduced access environments.

At full reach the max hook height of the MFC 750 is 2.9m.

oftops / Confined Areas

9 boom positions offer a wide variety of lifting capabilities and the facility to shorten the chassis aids in the flexibility of the MFC 750.



MFC 750 - Z Boom

The optional Z Boom to allow loads to be lifted and lowered over balustrades, walls and permanent structures on site.

Specifications

Capacity	645kg
Maximum lifting height	3.38m
Distance from wheel to hook	600mm
Maximum drop	5m (approx.)
Weight of machine	744kg



Rated Loads - Normal Boom

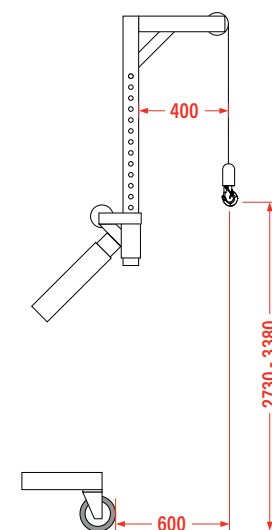
Load Pos.	Distance from wheel to load	Short 1 x box	Short 2 x box	Long 1 x box	Long 2 x box
1	260mm	380kg	745kg	900kg	900kg
2	400mm	265kg	555kg	700kg	900kg
3	540mm	210kg	455kg	560kg	880kg
4	700mm	175kg	365kg	465kg	740kg
5	840mm	150kg	310kg	400kg	645kg
6	980mm	125kg	275kg	340kg	565kg
7	1120mm	110kg	240kg	300kg	500kg
8	1260mm	100kg	215kg	260kg	455kg
9	1400mm	85kg	160kg	240kg	410kg

Rated Loads - Long Boom

Load Pos.	Distance from wheel to load	Short 1 x box	Short 2 x box	Long 1 x box	Long 2 x box
1	1160mm				510kg
2	1300mm				460kg
3	1440mm				415kg
4	1600mm				375kg
5	1740mm				350kg
6	1880mm				325kg
7	2020mm				300kg
8	2160mm				285kg
9	2300mm				265kg

NOT ALLOWED

Z Boom Dimensions



Capacities on the above table are only applicable when the front wheels are facing forwards. If the wheels are in any other position the maximum safe working loads will reduce.
1 Box of counterweights is 14 x 16kg, 2 boxes of counterweights is 28 x 16kg.